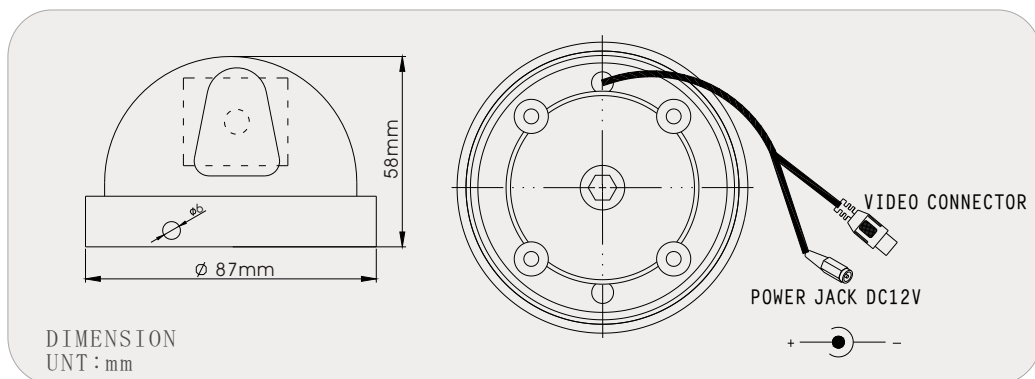


# FUHO Color Dome Camera



## FUM-767D / 787D

### SPECIFICATION

	FUM-767D		FUM-787D	
	NTSC	PAL	NTSC	PAL
MODE	NTSC	PAL	NTSC	PAL
Pick Up	1/4 " Inter Line Transfer CCD		1/3 " Inter Line Transfer CCD	
IMAGE SIGNAL PROCESS	Digital Signal Processing System			
Image Size	4.34(H) × 3.69(V)mm		9.6(H)X7.5(V)mm	9.6(H)X6.3(V)mm
Number of Pixel	512(H) × 492(V)	512(H) × 582(V)	542(H) × 492(V)	542(H) × 582(V)
PICTURE ELEMENTS	NTSC : Approximately 250K		NTSC : Approximately 270K	
	PAL : Approximately 290K		PAL : Approximately 320K	
Horizontal Resolution	More Than 350 TV Lines		More Than 380 TV Lines	
Sync System	Internal			
Auto Gain Control	Automatically			
White Balance	Auto White Balance			
Scanning System	2 : 1 Interlace			
ELECTRONIC SHUTTER	NTSC : OFF: 1/60 S ; AUTO: 1/60 S TO 1/10000 S			
	PAL : OFF: 1/50 S ; AUTO: 1/50 S TO 1/10000 S			
S/N Ratio	More Than 48 dB			
Sensitivity	0.12 LUX	0.13 LUX	0.07 LUX	
Video Output Signal	1 Vp-p Composite Video Output, 75 Ohms			
Power Supply	DC 12V ± 1V			
Power Consumption	120mA		200mA	
Lens Mount	3.6 mm Lens F2.0 ( Standard )			
Operating Temperature	-5° C ~ +45° C / less than 70%			
Dimensions	Diameter : 87mm L : 58mm			
Weight	180g.		200g.	