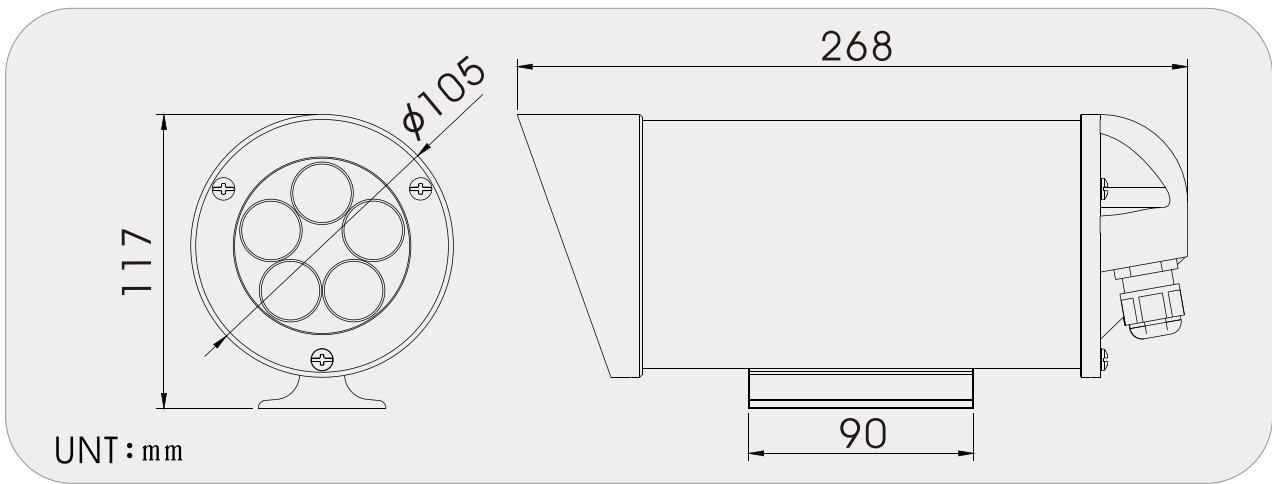


# FUHO IR 100T Infrared Illuminator

**IR-100T**



|                       |                              |
|-----------------------|------------------------------|
| Input Voltage         | AC 100V~240V                 |
| Power Consumption     | 7.6W (MAX)                   |
| IR Range              | 100M                         |
| IR Angle              | 25°                          |
| Sensitivity           | 10 LUX ( IR ON )             |
| Power On              | CDS Auto Control             |
| IR LED                | HIGH POWER LED 5Units        |
| Wavelength            | 850 nm                       |
| Operating Temperature | -5°C ~ +60°C / less than 70% |
| Weight                | 1.1Kg                        |
| Water Resistance      | IP 66                        |