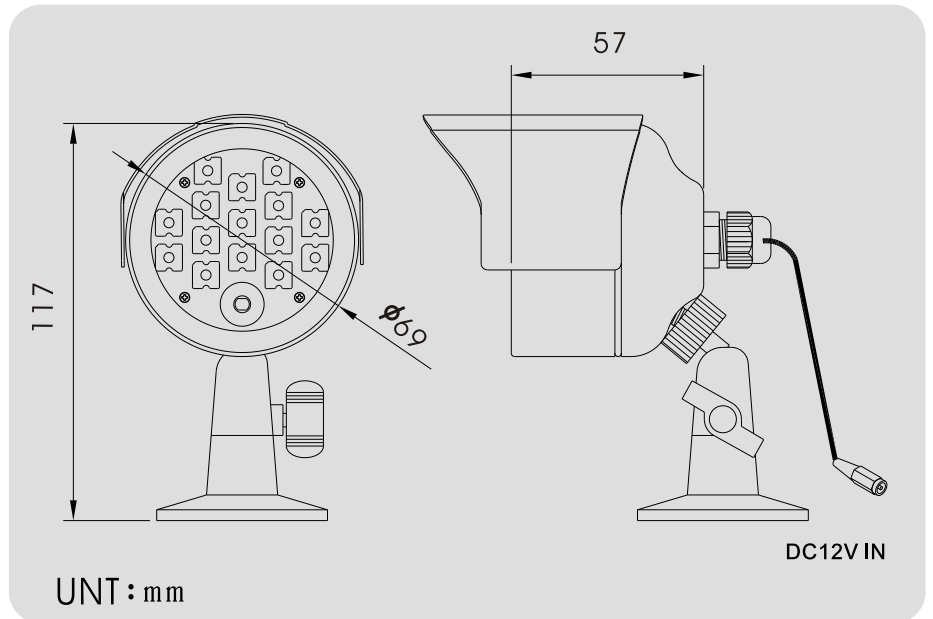


# FUHO IR 30T Infrared Illuminator



**IR-30T**



## SPECIFICATION

Input Voltage	DC 12V
Power Consumption	450mA (MAX.)
IR Range	30M
IR Angle	15° /40°
Sensitivity	10 LUX ( IR ON )
Power On	CDS Auto Control
IR LED	15 Units
Wavelength	850 nm
Operating Temperature	-5°C ~ +60°C / less than 70%
Weight	330g
Water Resistance	IP 67