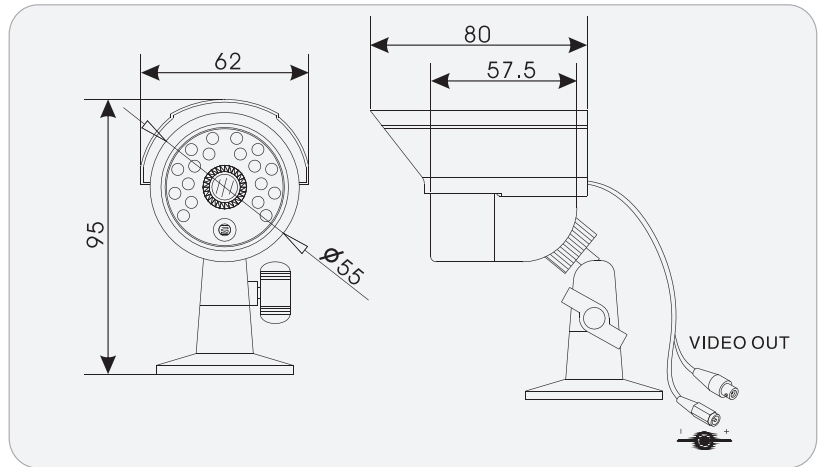


FUHO

Infrared Color Camera



IR-915A



Mode	NTSC	PAL
Pick Up	1 / 3 Inch Inter Line Transfer CCD	
IMAGE SIGNAL PROCESS	Digital Signal Processing System	
Pixel Pitch	9.6(H)x7.5(V)um	9.8(H)x6.3(V)um
Number of Pixel	510 (H) × 492 (V)	500 (H) × 582 (V)
PICTURE ELEMENTS	Approximately 250K	Approximately 290K
Horizontal Resolution	Max 420 TV Lines	
Sync System	Internal	
Auto Gain Control	YES	
White Balance	Auto	
Back Light Compensation	NO	
Scanning System	2 : 1 Interlace	
ELECTRONIC SHUTTER	AUTO: 1/60 S TO 1/10000 S	AUTO: 1/50 S TO 1/10000 S
S/N Ratio	Max 48 dB	
IR Angle	50°	
IR Range	15M	
Wavelength	850 nm	
Sensitivity	0 LUX (IR ON)	
Video Output Signal	1 Vp-p Composite Video Output, 75 Ω	
Power Supply	DC 12V ± 1V 500mA	
Power Consumption	300 ~ 360mA	
Lens Mount	4.0mm / 6.0mm (optional)	
Operating Temperature	-5°C ~ +65°C	
Dimensions	95mm(H)x80mm(W)x62mm(D)	
Weight	About 300 g	