

FUHO

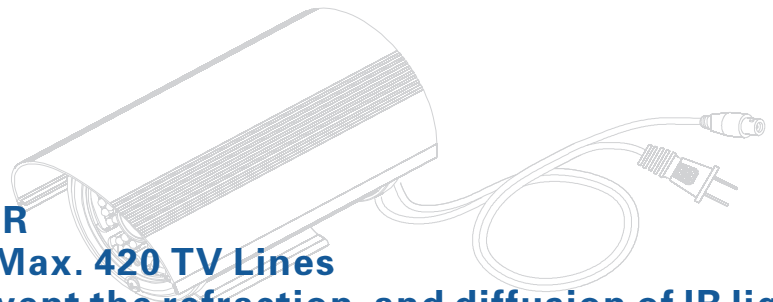
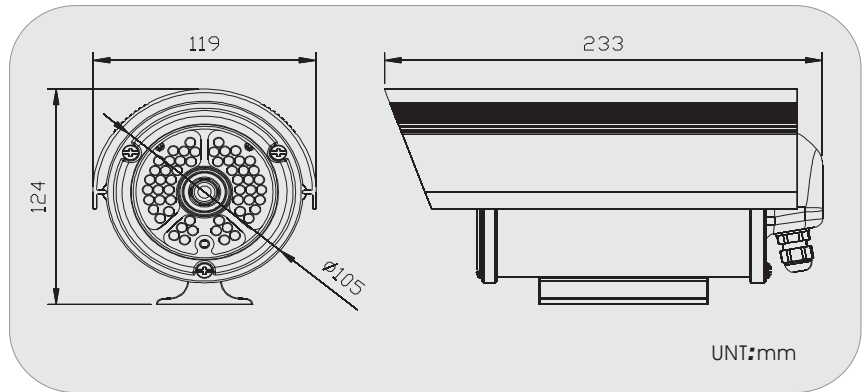
Infrared Color Camera



IR956A

Features

- ◆ IR RANGE : 35 M
- ◆ 56 PCS LEDs
- ◆ 1/3 INCH CCD IMAGE SENSOR
- ◆ HORIZONTAL RESOLUTION Max. 420 TV Lines
- ◆ Double glass designed to prevent the refraction and diffusion of IR light.



VIDEO SYSTEM	NTSC	PAL
PICK UP ELEMENT	1/3 INCH CCD IMAGE SENSOR (INTER LINE)	
IMAGE SIGNAL PROCESS	DIGITAL SIGNAL PROCESSING SYSTEM	
LENS MOUNT	8.0 mm	
NUMBER OF PIXEL	510 (H) * 492 (V)	500 (H) * 582 (V)
PICTURE ELEMENTS	APPROXIMATELY 250K	APPROXIMATELY 290K
HORIZONTAL RESOLUTION	MAX. 420 TV Lines	
POWER SUPPLY	AC 100~240V	
POWER CONSUMPTION	11W (at AC 110V)	
SYNCHRONIZATION	INTERNAL	
SCANNING SYSTEM	2 : 1 INTERLACE	
SENSITIVITY	0 LUX -IR ON	
S/N RATIO	Max 48 dB	
AUTO GAIN CONTROL	YES	
BACK LIGHT COMPENSATION	YES	
WHITE BALANCE	AUTO	
ELECTRONIC SHUTTER	AUTO: 1/60S TO 1/10000S	AUTO: 1/50S TO 1/10000S
OUTPUT	1 Vp-p COMPOSITE VIDEO OUTPUT, 75 OHMS	
IR RANGE	35 M	
WAVELENGTH	850 nm	
OPERATING TEMPERATURE	-5° C ~ +60° C	
DIMENSIONS (W x D x H)	Φ119 x 124 x 233 mm	
WEIGHT	About 1Kg	