

TA-996TM/ TA-996HTM



0.5LUX(LENS F1.4)

Slow Shutter OFF



Slow Shutter ON



0.05LUX(LENS F1.4)

Slow Shutter OFF



Slow Shutter ON



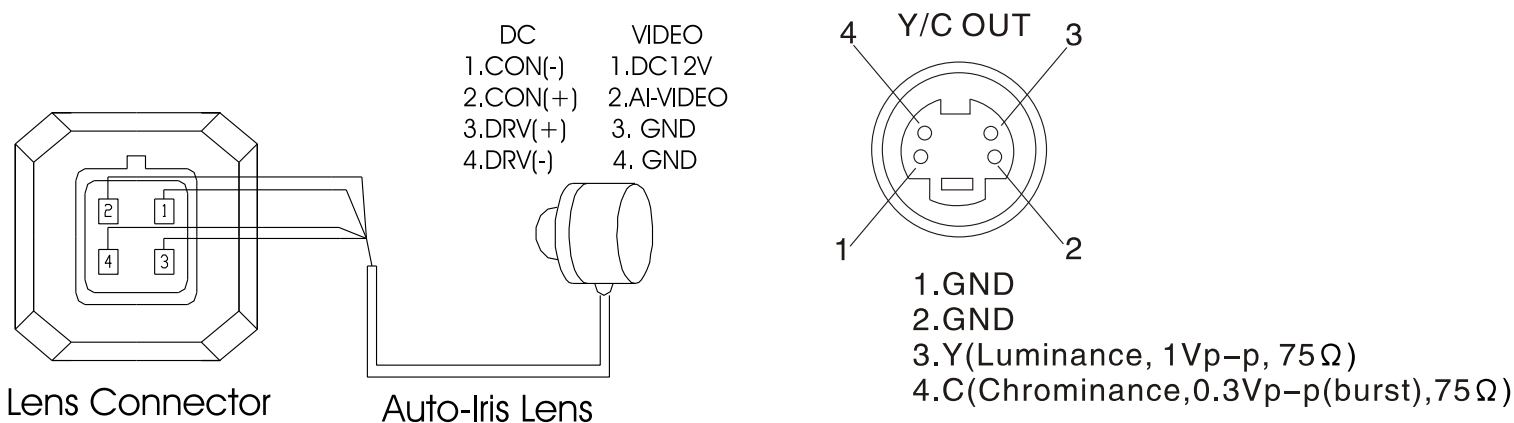
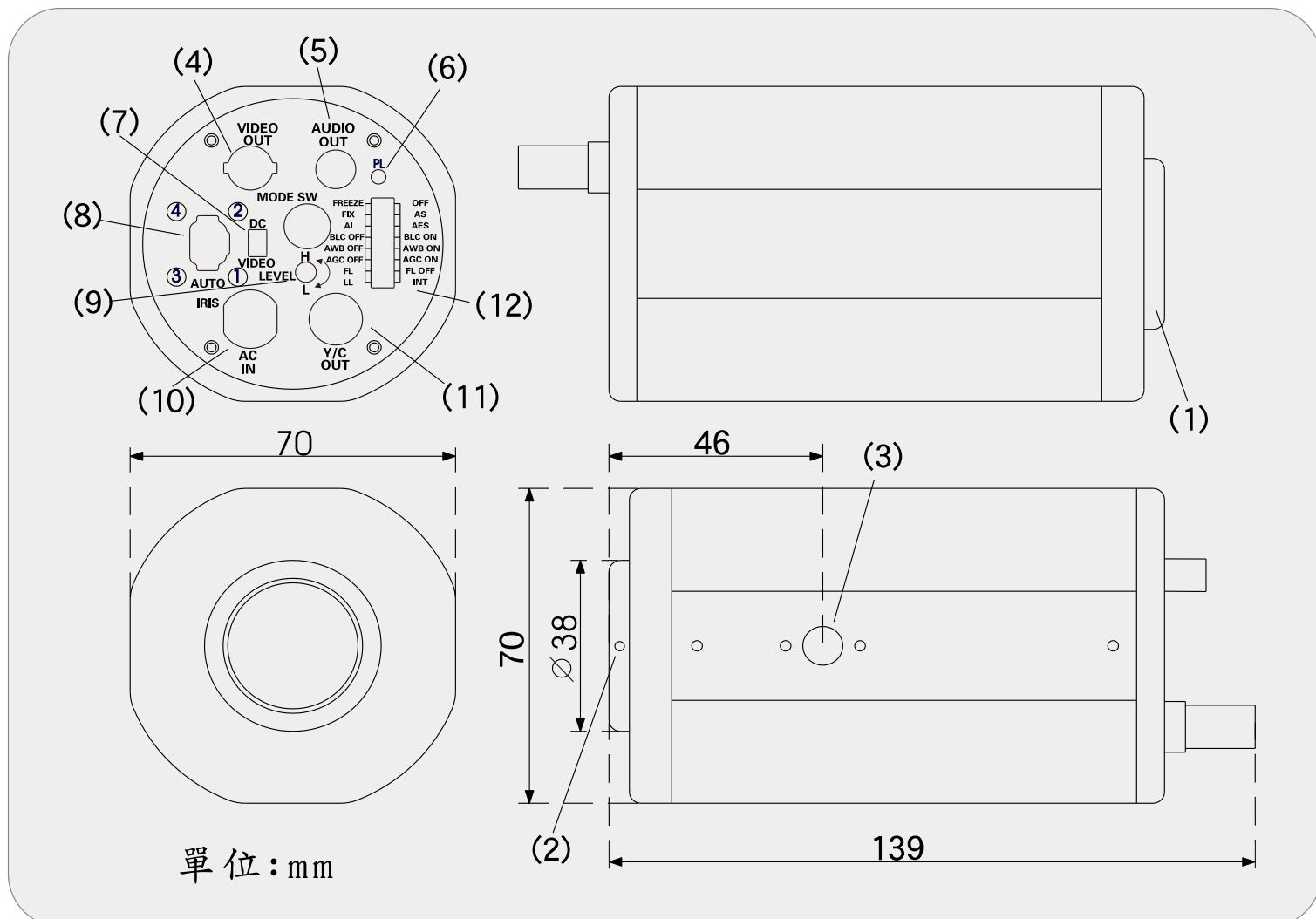
SLOW SHUTTER CAMERA FEATURE

- ◆. 1/3 " SONY DSP.
- ◆. 10 BIT A/D CONVERTER ; 10 BIT D/A CONVERTER (Y/C OUTPUT 2).
- ◆. NUMBER OF PIXELS NTSC : 380K / PAL : 440K.
- ◆. POWER INPUT AC 100V~250V.
- ◆. INTERNAL SYNC AND LINE LOCK MODE : ALTERNATIVE LINE. LOCK MODE IN USE TO PREVENT COLOR ROLLING.
- ◆. MINIMUM LUX 0.0001 LUX.
- ◆. SIGNAL TO NOISE RATIO : MORE THAN 50dB.
- ◆. AUTO GAIN CONTROL ON/OFF ALTERNATIVE ; MAXIMUM 38 dB.
- ◆. BACK LIGHT COMPENSATION ON/OFF ALTERNATIVE ; AUTO DETECTION AREA OF 256 COMPONENTS.
- ◆. AUTO WHITE BALANCE ON/OFF ALTERNATIVE ; COLOR TEMPERATURE CHANGES SUBJECT TO LIGHT CONDITION.
- ◆. FLICKERLESS.
- ◆. AUTO IRIS LENS OF VIDEO AND DC DRIVE AVAILABLE.
- ◆. VIDEO OUTPUT : 1Vp-p COMPOSITE VIDEO OUTPUT 75Ω.

TA-996TM

TA-996HTM

MODE	NTSC	PAL	NTSC	PAL
PICK UP ELEMENT	1/3 Inch CCD Image Sensor (Inter Line)			
IMAGE SIGNAL PROCESS	Digital Signal Processing System			
NUMBER OF PIXEL	510 (H) × 492 (V)	500 (H) × 582 (V)	811 (H) × 508 (V)	795 (H) × 596 (V)
PICTURE ELEMENTS	Approximately 250K	Approximately 290K	Approximately 380K	Approximately 440K
RESOLUTION	420 TV Lines		480 TV Lines	
POWER SUPPLY	AC 100V~250V 60HZ	AC 100V~250V 50HZ	AC 100V~250V 60HZ	AC 100V~250V 50HZ
POWER CONSUMPTION	4W			
SYNCHRONIZATION	Internal / Lock Line Switchable			
SCANNING SYSTEM	2 : 1 Interlace			
MINIMUM ILLUMINATION	0 . 0001 LUX (X128)			
S/N RATIO	More than 50 dB			
AUTO GAIN CONTROL	AGC ON / OFF Switchable			
BACK LIGHT COMPENSATION	BLC ON / OFF Switchable			
WHITE BALANCE	AWB ON / OFF Switchable			
DISPLAY FREEZE	DISPLAY FREEZE ON / OFF Switchable			
FLICKERLESS	FL ON / OFF Switchable			
ELECTRONIC SHUTTER	AI: 1/60 S ; AES: 1/60 S TO 1/10000 S	AI: 1/50 S ; AES: 1/50 S TO 1/10000 S	AI: 1/60 S ; AES: 1/60 S TO 1/10000 S	AI: 1/50 S ; AES: 1/50 S TO 1/10000 S
SENSITIVITY UP CONTROL	X1 ; X4 ; X8 ; X16 ; X24 ; X32 ; X64 ; X128 AS: AUTO (STEP BY STEP) / FIX: MODE SWITCHABLE			
AUTO IRIS	DC Drive / Video Drive			
AUDIO FREQUENCY(MIC)	50Hz ~ 13KHz			
AUDIO SENSITIVITY	-56 ± 3dB			
AUDIO S/N RADIO	40dB			
OUTPUT	1 Vp-p Composite Video Output, 75 Ohms			
LENS MOUNT	C / CS			
OPERATING TEMPERATURE	- 5°C ~ +50°C / less than 70%			
DIMENSIONS (W × H × D)	70 × 70 × 139 mm			
WEIGHT	700g			



(1) Lens Mount

For a CS mount. (C mount adapter is required if use a c mount lens)

(2) Mount Fixing Screw

This screw is used for fixing the mount and adjusting the back focus.

(3) Screw Hole for Fixing Camera

(4) Video Signal Output Connector

(5) Audio Signal Output Connector

(6) Power LED

(7) Drive Selection Switch (Video/DC drive)

(8) Auto-Iris Lens Connector

(9) DC Drive Level Adjuster

This controller serves to adjust the video output level when DC Voltage Controlled Auto-Iris Lens is used.

(10) AC Power Supply

(11) Y/C Signal Output Connector

(12) Dip Switch Function

1.FREEZE: Video Display Freeze Function

ON : Display Freeze OFF: Normal .

2.SENSITIVITY UP CONTROL :

AS : Auto (step by step) . This function changes the sensitivity of the camera by varying the electronic shutter speed according to the amount of incident ray under low illumination conditions .

FIX : Mode Switchable

MODE SW	SHUTTER SPEED CONTROL	NTSC	PAL
0	NORMAL (X1)	60.0 Field/Sec	50.0 Field/Sec
1	X4	15.0 Field/Sec	12.5 Field/Sec
2	X8	7.50 Field/Sec	6.25 Field/Sec
3	X16	3.75 Field/Sec	3.12 Field/Sec
4	X24	2.50 Field/Sec	2.08 Field/Sec
5	X32	1.87 Field/Sec	1.56 Field/Sec
6	X64	0.94 Field/Sec	0.78 Field/Sec
7	X128	0.47 Field/Sec	0.39 Field/Sec

Caution: When the sensitivity up function works , delayed images appear on the screen . However that is not a failure .

3.Electronic Iris:

AES: Auto Electronic Shutter 1/60 S TO 1/10000 S (NTSC) , 1/50 S TO 1/10000 S (PAL) .

AI: Auto Iris Control by Auto Iris Lens .

4.Back Light Compensation: BLC ON / OFF Switchable

The Back Light Compensation function allows fine picture correction to prevent the subject from being extremely dark due to strong backlight .

5.White Balance : AWB ON / OFF Switchable

The white balance is adjusted automatically to provide the optimum picture just by setting the white balance selection switch to the AWB ON .

6.AGC function : AGC ON / OFF Switchable

This function keeps the video output level of the camera by varying the gain control automatically .

7.Flickerless function: FL ON / OFF Switchable

This function is used under fluorescent light on the area of 50 HZ power supply . Set the FL switch to off , otherwise the flicker may occur .

8.Synchronization mode :

INT: In this mode , an inside crystal oscillator is used .

LL: This mode allows the camera to use the phase of the AC power as per the reference .When attempting to phase a group of camera together deviation from the AC power phase may be required .